



# Gear Bearings for Passenger Cars



Bearing corporation EPK is the largest company in designing, manufacturing and distributing bearing products in the Russian Federation and the CIS countries. Thanks to the integration of the five major manufactures, EPK offers to its clients a wide range of bearings with the outer diameter ranging from 20mm to 2.2m.

The customers from more than 50 countries buy EPK products.

The major direction of EPK business is bearing production for railway industry.

As for bearing products, EPK is the main manufacturer and supplier for the Russian Railways company, its strategic partner. Besides, EPK is the largest distributor of railway bearings in the CIS countries.

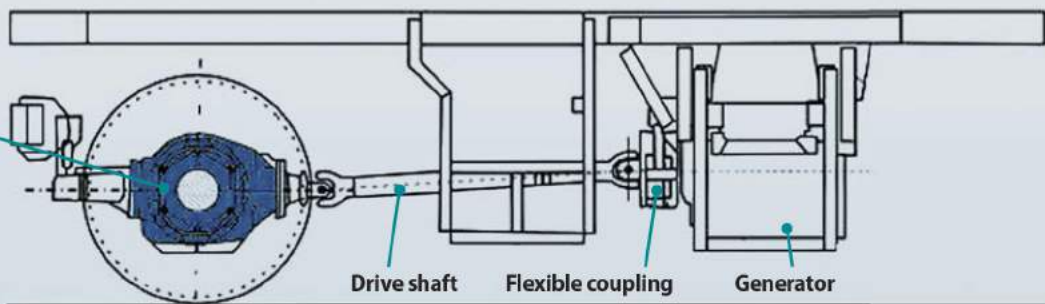
The quality of EPK's products is confirmed by all required certificates and fully complies with the requirements of domestic and international standards.

EPK has launched a pilot batch of bearings for ZhDR-002 gear used in passenger cars. The bearings of such type are made in Russia for the first time and are quite competitive with foreign-made similar products.

On a request of Privod-Komplektacija CJSC that produces ZhDR-002 gear for passenger cars, EPK's team has launched three new types of bearings with the original designs. Due to the principal new technologies used in producing brass cages, these bearings were developed with the active participation of EPK Special Product Division.

The new Russian bearings are characterized with optimal price/quality ratio in comparison with foreign analogues. According to metrological tests these new bearings correspond to European railway standards and regulations. The estimated life of the bearings for ZhDR-002 gear is one million kilometers.

ZhDR-002 gear equipped with EPK bearings:  
 32044 MPS.P6 – 2 pcs  
 NU314 MPA.63 – 2 pcs  
 QJ314 MPB P6 – 1 pcs



## OOO TD EPK

Str. 62, 13, Sharikopodshipnikovskaya ul., Moscow, 115088, Russia  
 Tel.: +7 (495) 789 74 80 Fax: +7 (495) 789 74 81  
 tdft@epkgroup.ru www.epkgroup.ru



Today bearing corporation EPK offers gear bearings of the following types:

### 32044 MPS.P6

**Type:**  
tapered roller bearing

**Place of installation:**  
hollow shaft of ZhDR-002 and G-8876 gears of movable generator drive WBA-32/2.

**Characteristics:**  
the bearing corresponds to the tolerance class 6 and has a solid brass cage.

### QJ314 MPB P6

**Type:**  
angular contact ball bearing

**Place of installation:**  
pinion-shaft of of ZhDR-002 and G-8876 gears of movable generator drive WBA-32/2.

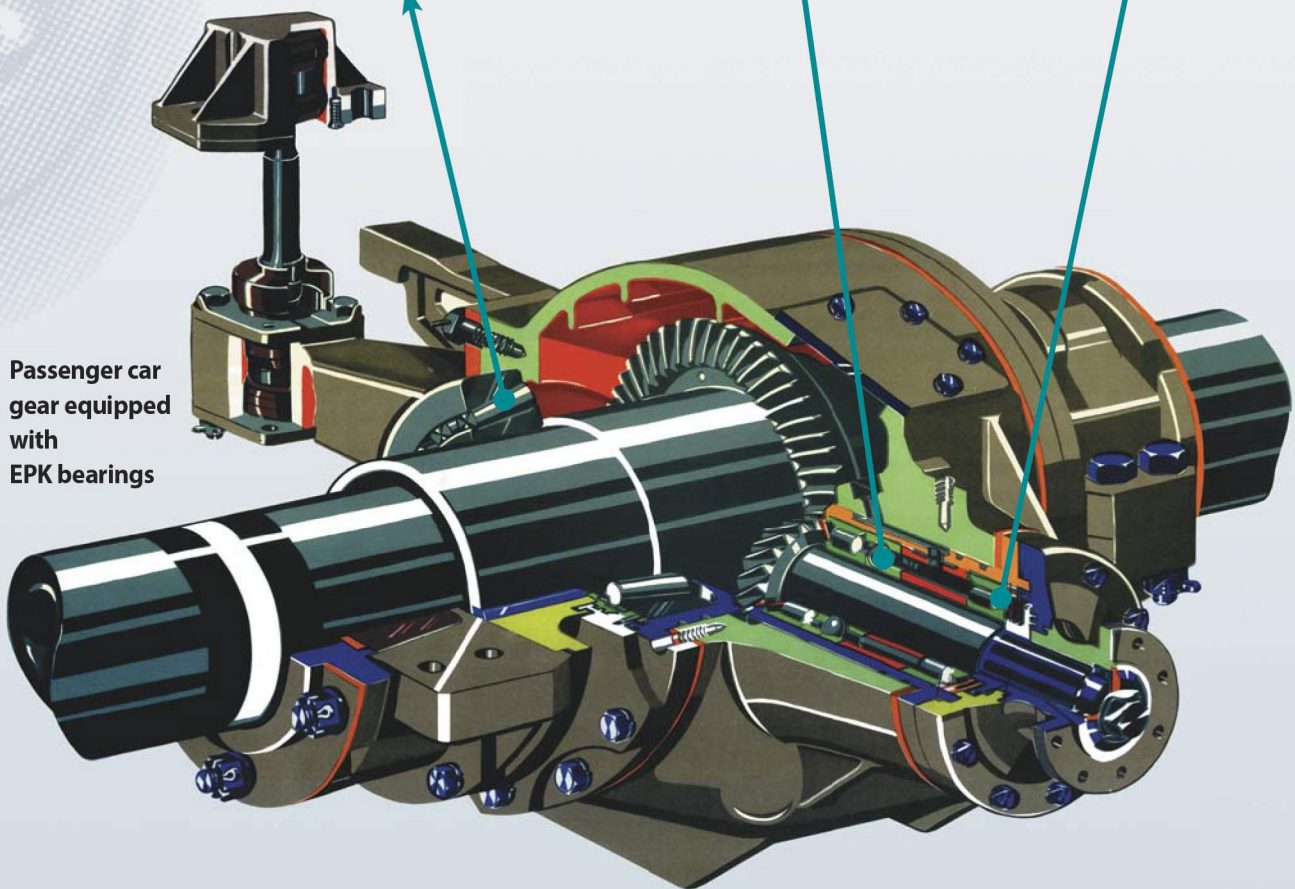
**Characteristics:**  
the bearing corresponds to the tolerance class 6 and has a solid brass cage.

### NU314 MPA.63

**Type:**  
radial roller bearing with short cylindrical rollers

**Place of installation:**  
pinion-shaft of of ZhDR-002 and G-8876 gears of movable generator drive WBA-32/2.

**Characteristics:**  
the bearing corresponds to the tolerance class 6 and has a solid machined brass cage without riveted crosspieces.



Passenger car gear equipped with EPK bearings

#### OOO TD EPK

Str. 62, 13, Sharikopodshipnikovskaya ul., Moscow, 115088, Russia  
Tel.: +7 (495) 789 74 80 Fax: +7 (495) 789 74 81  
tdft@epkgroup.ru www.epkgroup.ru