



Cylindrical Bearing Unit CBU 130x250x160



Bearing corporation EPK is the largest company in designing, manufacturing and distributing bearing products in the Russian Federation and the CIS countries. The customers from more than 50 countries buy EPK products. Every year EPK develops about 60 new types of bearings for its customers to meet their special requirements.

For the customers from railway industry EPK has launched a radial twin roller bearing with short cylindrical rollers with shields (CBU) 46-882726E2MC43 with the dimensions 130x250x160 mm. The bearing is designed for the installation on wheelset axle with journal diameter of 130 mm into the operating freight car bogie 18-100 (with axle box) and into the upgraded one, 18-578 (with axle box) with axle load of 23,5 t.

One twin bearing substitutes a pair of bearings **NJ/NJP 130x250M C4**.

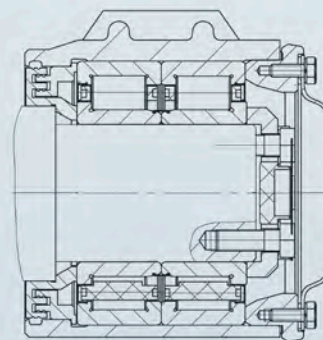
Design features of CBU:

- ⊗ Non-dismantlable unit;
- ⊗ Unit parts are selected according to their radial clearances;
- ⊗ During the assembly the unit is filled with grease lubricant for the whole service cycle;
- ⊗ Guaranteed maintenance-free run of 800 thousand km (6 years).



Advantages of CBU

- ⊗ Lowered axle load on the end tightening;
- ⊗ Significant cuts of operational costs;
- ⊗ Automation of axle box mounting and demounting;
- ⊗ Requires no readjustment of ground-type devices for axle-box temperature control;
- ⊗ Post-warranty maintenance and reworking are available in the service centers at the bearing industry enterprises.



**Axlebox with the installed
CBU 130x250x160
(46-882726E2MC43)**

OOO TD EPK

Str. 62, 13, Sharikopodshipnikovskaya ul., Moscow, 115088, Russia
Tel.: +7 (495) 789 74 80 Fax: +7 (495) 789 74 81
tdft@epkgroup.ru www.epkgroup.ru

Cylindrical roller bearings WJ/WJP 120x240, WJ/WJP 130x240

Fig.1
WJ bearings

**a - solid brass cage,
with riveted
crosspieces;**
b- polyamide cage

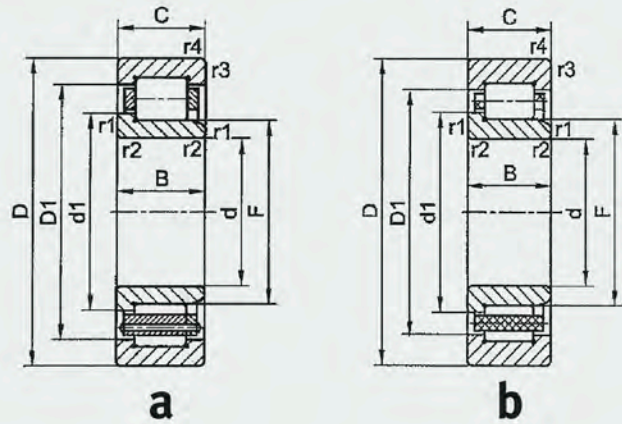
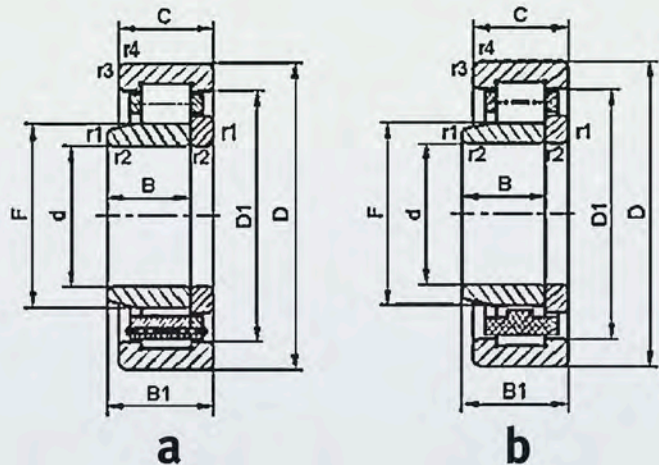


Fig.2
WJP bearings

**a - solid brass cage,
with riveted
crosspieces;**
b- polyamide cage



Bearing designation DIN ISO	EPK Bearing designation	Fig. №	Dimensions, mm			Load rating, N		Mass, kg	Application
			d	D	C=B1	dynamic C	static Co		
WJ120x240M C4	H0-42724M	1.a	120	240	80	520000	900000	17,11	Freight cars
WJP120x240M C4	H0-232724M	2.a	120	240	80	520000	900000	17,11	Freight cars
WJ120x240TN C4	H0-42724EM1	1.b	120	240	80	520000	900000	17,11	Coaches
WJP120x240TN C4	H0-232724EM1	2.b	120	240	80	520000	900000	17,11	Coaches
WJ130x240M C4	H0-42926M	1.a	130	240	80	550000	900000	17	Freight cars and coaches
WJP130x240M C4	H0-232926M	2.a	130	240	80	550000	900000	17	Freight cars and coaches
WJ130x240TN C4	H0-42926E	1.b	130	240	80	550000	900000	17	Freight cars and coaches
WJP130x240TN C4	H0-232926E	2.b	130	240	80	550000	900000	17	Freight cars and coaches

OOO TD EPK

Str. 62, 13, Sharikopodshipnikovskaya ul., Moscow, 115088, Russia
Tel.: +7 (495) 789 74 80 Fax: +7 (495) 789 74 81
tdft@epkgroup.ru www.epkgroup.ru